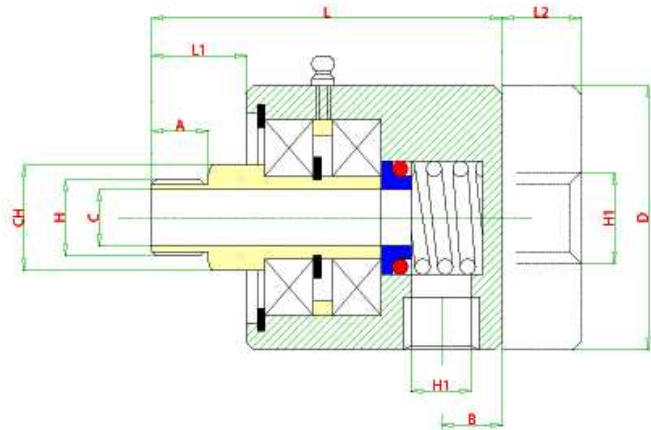




### TYPE "01-A"

ROTARY JOINT INDUSTRIAL  
 FLUID - AIR  
 TEMPERATURE - 20C  
 PRESSURE - 10BAR  
 MATERIAL - ALUMINUM -  
 AISI303

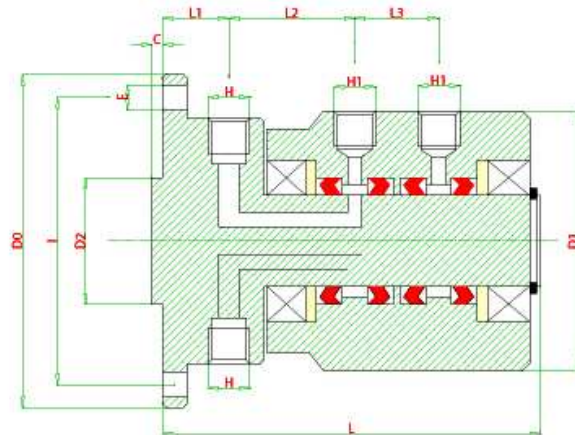


H G (BSP)	Codice ordinazione Order Code	P max BAR	Ng. 1'	A	B	C	D	H1 G (BSP)	L	L1	L2	CH
1/8	01-1/8	10	200	9	7	5	ES32	1/8	45	14	8	13
1/8	01A-1/8	10	3000	9	9	5	ES32	1/8	64	14	8	13
1/4	01A-1/4	10	3000	12	12	7	D.45	1/4	74	20	10	19
3/8	01A-3/8	10	3000	12	12	8	D.45	3/8	74	20	13	19
1/2	01A-1/2	10	3000	15	16	15	D.69	1/2	93	25	16	27
3/4	01A-3/4	10	3000	15	21	16	D.69	3/4	106	27	16	32
1	01A-1	10	3000	20	26	24	D.85	1	128	33	0	41



### TYPE "02-A"

ROTARY JOINT INDUSTRIAL  
 FLUID - AIR  
 TEMPERATURE - 20C  
 PRESSURE - 10BAR  
 MATERIAL - ALUMINUM ALLOY  
 STEEL

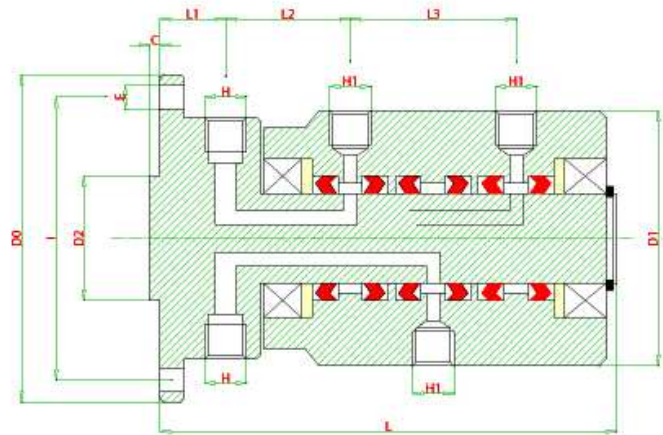


H G (BSP)	Codice ordinazione Order Code	P max BAR	Ng. 1'	H1 G (BSP)	D0	D1	D2	E Diam.	I	C	L	L1	L2	L3
1/8	02A-1/8	10	250	1/8	95	69	35	6.5	80	3	108	19	36	24
1/4	02A-1/4	10	250	1/4	95	74	35	6.5	80	3	108	19	36	24
3/8	02A-3/8	10	250	3/8	95	74	35	6.5	80	3	111	20	38	24



### TYPE "03-A"

ROTARY JOINT INDUSTRIAL  
 FLUID - AIR  
 TEMPERATURE - 20C  
 PRESSURE - 10BAR  
 MATERIAL - ALUMINUM ALLOY  
 STEEL

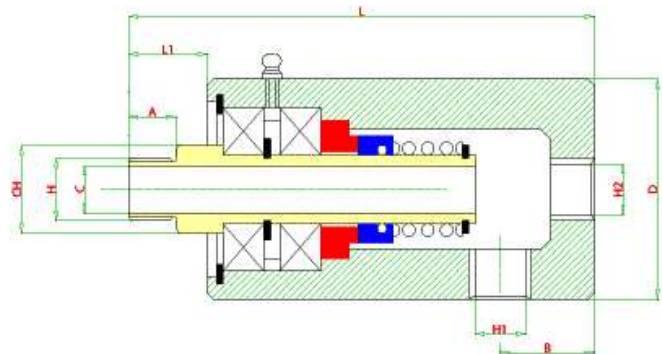


H G (BSP)	Codice ordinazione Order Code	P max BAR	Ng. 1'	H1 G (BSP)	D0	D1	D2	E Diam.	I	C	L	L1	L2	L3
1/8	03A-1/8	10	250	1/8	95	69	35	6,5	80	3	139	19	36	55
1/4	03A-1/4	10	250	1/4	95	74	35	6,5	80	3	139	19	36	55
3/8	03A-3/8	10	250	3/8	95	74	35	6,5	80	3	142	20	38	55



### TYPE "01-G"

ROTARY JOINT INDUSTRIAL  
 FLUID - WATER  
 TEMPERATURE - 60C  
 PRESSURE - 10BAR  
 MATERIAL - AISI303-BRASS

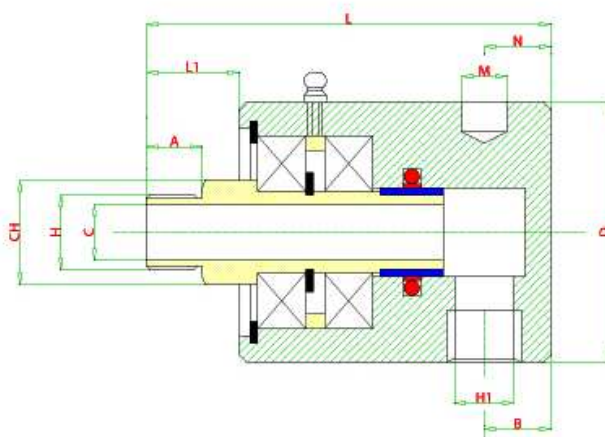


H G (BSP)	Codice ordinazione Order Code	P max BAR	Ng. 1'	A	B	C	D	H1 G (BSP)	L	L1	H2 G (BSP)	CH
3/8	01G-3/8	10	3000	12	13	10	D.46	3/8	105	24	3/8	22
1/2	01G-1/2	10	3000	15	30	13	D.65	1/2	148	28	1/2	27
3/4	01G-3/4	10	3000	17	40	18	D.75	3/4	164	29	3/4	32
1	01G-1	10	3000	20	45	26	D.80	1	175	33	3/4	41
1-1/4	01G-1/4	10	1000	28	42	30	D.100	1-1/4	203	48	1	50
1-1/2	01G-1/2	10	1000	28	48	38	D.110	1-1/2	228	48	1	55



### TYPE "01-B"

ROTARY JOINT INDUSTRIAL  
 FLUID - OIL HYDRAULIC  
 TEMPERATURE - 60C  
 PRESSURE - 200BAR  
 MATERIAL - ALLOY STEEL

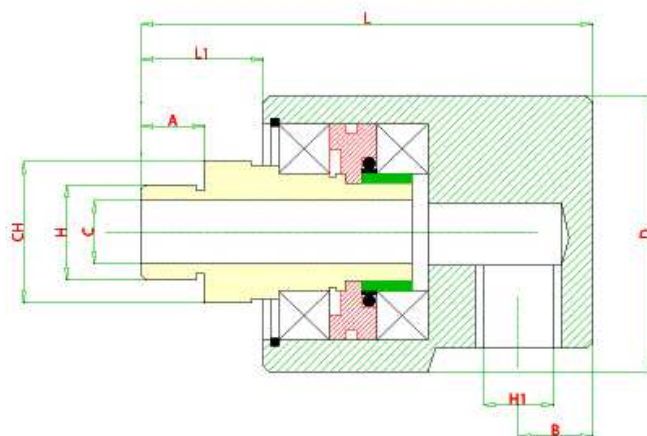


H G (BSP)	Codice ordinazione Order Code	P max BAR	Ng. 1'	A	B	C	D	H1 G (BSP)	L	L1	N	M Diam.	CH
1/4	01B-1/4	200	150	13	13	6	D.46	1/4	86	23	13	10	22
3/8	01B-3/8	200	150	13	14	8	D.46	3/8	89	24	14	10	22
1/2	01B-1/2	200	100	15	18	12	D.65	1/2	109	27	18	12	27
3/4	01B-3/4	200	80	16	20	16	D.75	3/4	120	31	20	15	32
1	01B-1	200	50	20	25	20	D.80	1	140	38	25	15	40



### TYPE "1RD"

ROTARY JOINT INDUSTRIAL  
 FLUID - OIL HYDRAULIC  
 TEMPERATURE - 120C  
 PRESSURE - 20BAR  
 MATERIAL - AISI303-BRASS

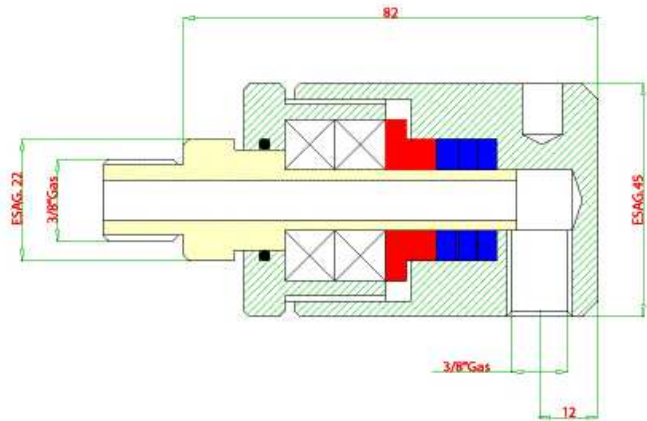


H G (BSP)	Codice ordinazione Order Code	P max BAR	Ng. 1'	A	B	C	D	H1 G (BSP)	L	L1	CH
3/8	1RD	25	50	13	12	7	D.41	3/8	80	23	22
1/2	1RD	25	50	15	17	12	D.54	1/2	102	28	27
3/4	1RD	25	50	16	19	18	D.69	3/4	115	31	36
1	1RD	25	50	16	23	20	D.74	1	115	31	41



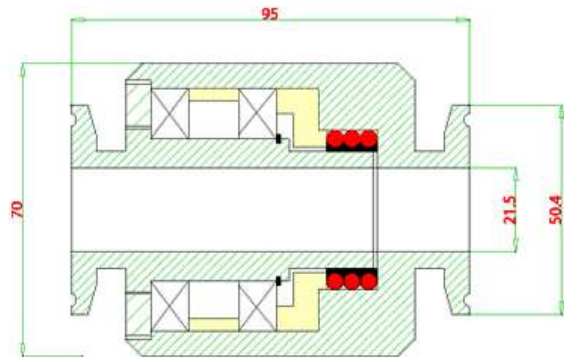
**TYPE "KS-3/8"**

ROTARY JOINT INDUSTRIAL  
 FLUID - DYES - ACID  
 TEMPERATURE - 60C  
 PRESSURE - 200BAR  
 MATERIAL - AISI303-BRASS



**TYPE "TR1 - KLAMP"**

ROTARY JOINT INDUSTRIAL  
 CHEMICAL - FEED - ENOLOGIC  
 FLUID - WATER VAPOR -  
 ALCOHOL  
 TEMPERATURE - 120C  
 PRESSURE - 20BAR  
 MATERIAL - AISI 316 - VITON -  
 PTFE



GIUNTO ROTANTE DN 100 - 10 BAR

